

A

B

C

D

6

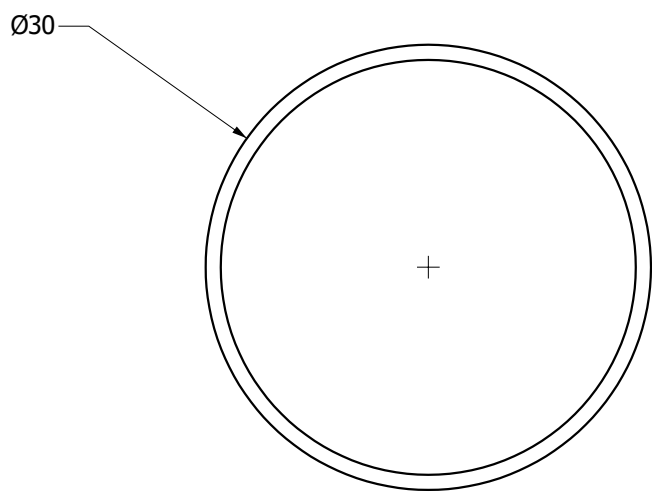
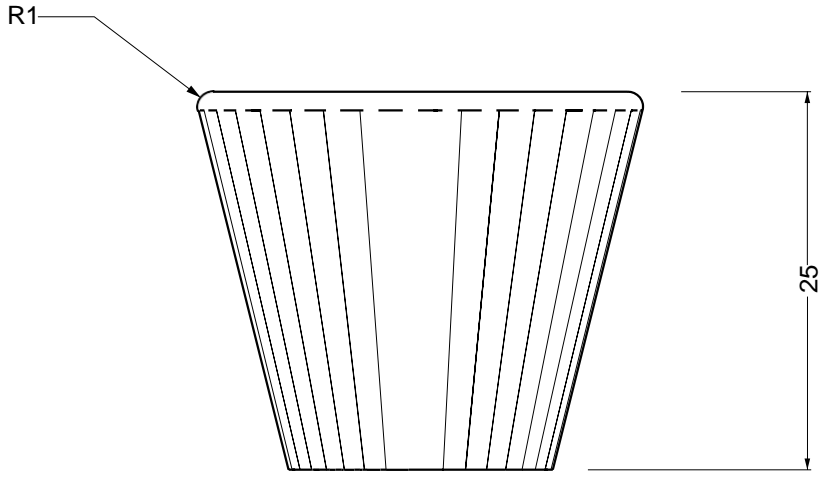
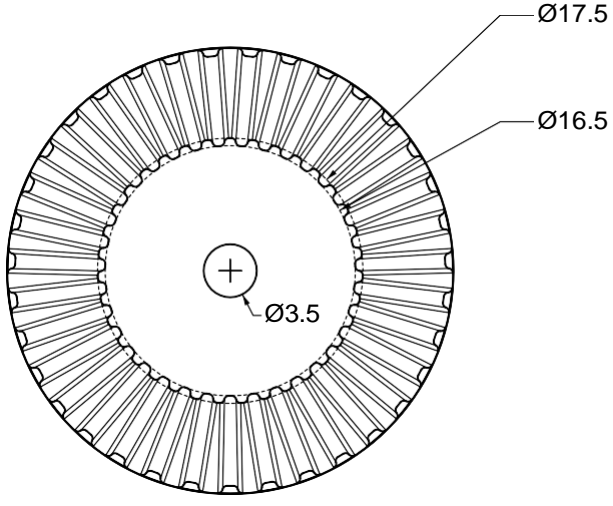
5

4

3

2

1



Please note that the dimensions above
are given in millimeters.

Part Number:
840

Salo

ART | DESIGN

A

B

C

D



1